



SRC-56P Air Riveter Part List

update: 2016/3/29

NO.	SRC PART#	DESCRIPTION	中文	Require QTY (pcs)	FOB SHANGHAI PER PC OR SET
1	SRC-56P-1	NOSEPIECE 4.0MM	导咀Φ4.0	1	US\$2.00
1	SRC-56P-1	NOSEPIECE 4.8MM	导咀Φ4.8	1	US\$2.00
1	SRC-56P-1	NOSEPIECE 6.4MM	导咀Φ6.4	1	US\$2.00
2	SRC-56P-2	O RING	O型圈	3	US\$0.50
3	SRC-56P-3	OUTER SLEEVING	外套管	1	US\$5.00
4	SRC-56P-4	O RING	O型圈	1	US\$1.00
5	SRC-56P-5	JAW CASE	卡爪套筒	1	US\$2.67
6	SRC-56P-6	JAWS (3pcs=1set)	爪片	3	US\$5.00 /set
7	SRC-56P-7	JAW SPREADER	推杆	1	US\$1.33
8	SRC-56P-8	SPRING	弹簧	1	US\$0.33
9	SRC-56P-9	LOCK RING	防松圈	1	US\$0.50
10	SRC-56P-10	JAW SPREADER HOUSING	卡爪上套筒	1	US\$4.33
11	SRC-56P-11	O RING	聚安脂环	1	US\$2.00
12	SRC-56P-12	SET NUT	定位螺母	1	US\$1.67
13	SRC-56P-13	PLASTIC SEAL SLEEVING	密封塑套	1	US\$2.67
14	SRC-56P-14	SEALING RING	密封环	1	US\$1.00
15	SRC-56P-15	HEAD ASSEMBLY	油缸	1	US\$28.33
16	SRC-56P-16	LIP SEAL	U型圈	1	US\$4.00
17	SRC-56P-17	SEAL RETAINER	密封保持环	1	US\$0.67
18	SRC-56P-18	O RING	O型圈	2	US\$1.00
19	SRC-56P-19	PLASTIC RING	白垫	1	US\$1.33
20	SRC-56P-20	HEAD PISTON	主轴	1	US\$13.33
21	SRC-56P-21	O RING	O型圈	1	US\$0.67
22	SRC-56P-22	STEM COLLECTOR ADAPTOR	连接套	1	US\$2.67
23	SRC-56P-23	CIRCLIP	卡簧挡圈	1	US\$0.17
24	SRC-56P-24	O RING	O型圈	1	US\$0.67
25	SRC-56P-25N	END CAP *see note	扣式密封盖	1	US\$3.33
26	SRC-56P-26	STEEL PLATE COVER	钢垫	1	US\$0.17
27	SRC-56P-27	BOLT	螺杆	2	US\$0.17



SRC-56P Air Riveter Part List

NO.	SRC PART#	DESCRIPTION	中文	Require QTY (pcs)	FOB SHANGHAI PER PC OR SET
28	SRC-56P-28N	STEM COLLECTOR *see note	扣式集钉瓶	1	US\$3.33
29	SRC-56P-29	O RING	O型圈	1	US\$1.00
30	SRC-56P-30	STAR WASHER	四角片	1	US\$1.67
31	SRC-56P-31	OIL TUBE	油管	1	US\$10.00
32	SRC-56P-32	O RING	O型圈	1	US\$1.33
33	SRC-56P-33	O RING	O型圈	2	US\$1.33
34	SRC-56P-34	HANDLE	手柄	1	US\$13.33
35	SRC-56P-35	TRIGGER VALVE	气门芯	1	US\$1.00
36	SRC-56P-36	TRIGGER	扳机	1	US\$2.00
37	SRC-56P-37	TRIGGER PIN	滚花销	1	US\$0.33
38	SRC-56P-38	SPRING PIN	弹性销	2	US\$0.33
39	SRC-56P-39	PLASTIC CYLINDER	塑料缸体	1	US\$28.33
40	SRC-56P-40	O RING	O型圈	2	US\$1.00
41	SRC-56P-41	SCREW	调节螺丝	1	US\$1.67
42	SRC-56P-42	O RING	O型圈	3	US\$1.67
43	SRC-56P-43	AIR INLET ASSEMBLY	气接头总成	1	US\$8.33
44	SRC-56P-44	O RING	O型圈	1	US\$2.67
45	SRC-56P-45	O RING	O型圈	1	US\$1.00
46	SRC-56P-46	VALVE CORE	阀芯	1	US\$3.33
47	SRC-56P-47	O RING	O型圈	1	US\$1.00
48	SRC-56P-48	VALVE BODY	阀体	1	US\$5.00
49	SRC-56P-49	VALVE BASE	阀座	1	US\$5.67
50	SRC-56P-50	TRANSFER TUBE	传动管	1	US\$8.33
51	SRC-56P-51	LIP SEAL	U型圈	1	US\$5.00
52	SRC-56P-52	AIR TUBE PISTON	油管活塞	1	US\$3.33
53	SRC-56P-53	O RING	O型圈	1	US\$1.00
54	SRC-56P-54	PISTON RING	柱塞环	1	US\$0.67
55	SRC-56P-55	PISTON ROD	活塞杆	1	US\$5.00
56	SRC-56P-56	SILENCER	海绵	2	US\$0.33
57	SRC-56P-57	CLAMP PLATE	蝴蝶片	1	US\$1.67



SRC-56P Air Riveter Part List

NO.	SRC PART#	DESCRIPTION	中文	Requiry QTY (pcs)	FOB SHANGHAI PER PC OR SET
58	SRC-56P-58	TAPPING SCREW	自攻螺丝	1	US\$0.17
59	SRC-56P-59	SET NUT	锁紧螺母	1	US\$2.33
60	SRC-56P-60	O RING	O型圈	1	US\$2.67
61	SRC-56P-61	WASHER	支撑垫	1	US\$1.00
62	SRC-56P-62	CYLINDER PISTON	活塞片	1	US\$9.33
63	SRC-56P-63	BOLT	平杯螺丝	1	US\$0.33
64	SRC-56P-64	O RING	O型圈	1	US\$2.00
65	SRC-56P-65	CIRCLIP	卡簧挡圈	1	US\$0.17
66	SRC-56P-66	AIR CYLINDER	铝罐	1	US\$8.33
67	SRC-56P-67	BASE COVER	橡胶底套	1	US\$10.00
68	SRC-56P-68	WASHER	密封铜垫	1	US\$2.00
69	SRC-56P-69	OIL SCREW	密封螺杆	1	US\$1.00
70	SRC-56P-70	HOOK	挂钩	1	US\$0.33
71	SRC-56P-71	GAP RING	间隙环	1	US\$0.73
72	SRC-56P-72	CRASH PAD	防震垫	1	US\$0.73

Note:

1. Except SRC-56P-6 (JAWS) is quoted per one set (3pcs=1set), others are quoted per one piece.
2. Each nosepiece (SRC-56P-1) requires one o-ring (SRC-56P-2).

Note:

For easy operation, SRC-56P-28 (Stem Collector) has been upgraded from batch#16-03 to button with SRC-56P-25 (End Cap).



SRC

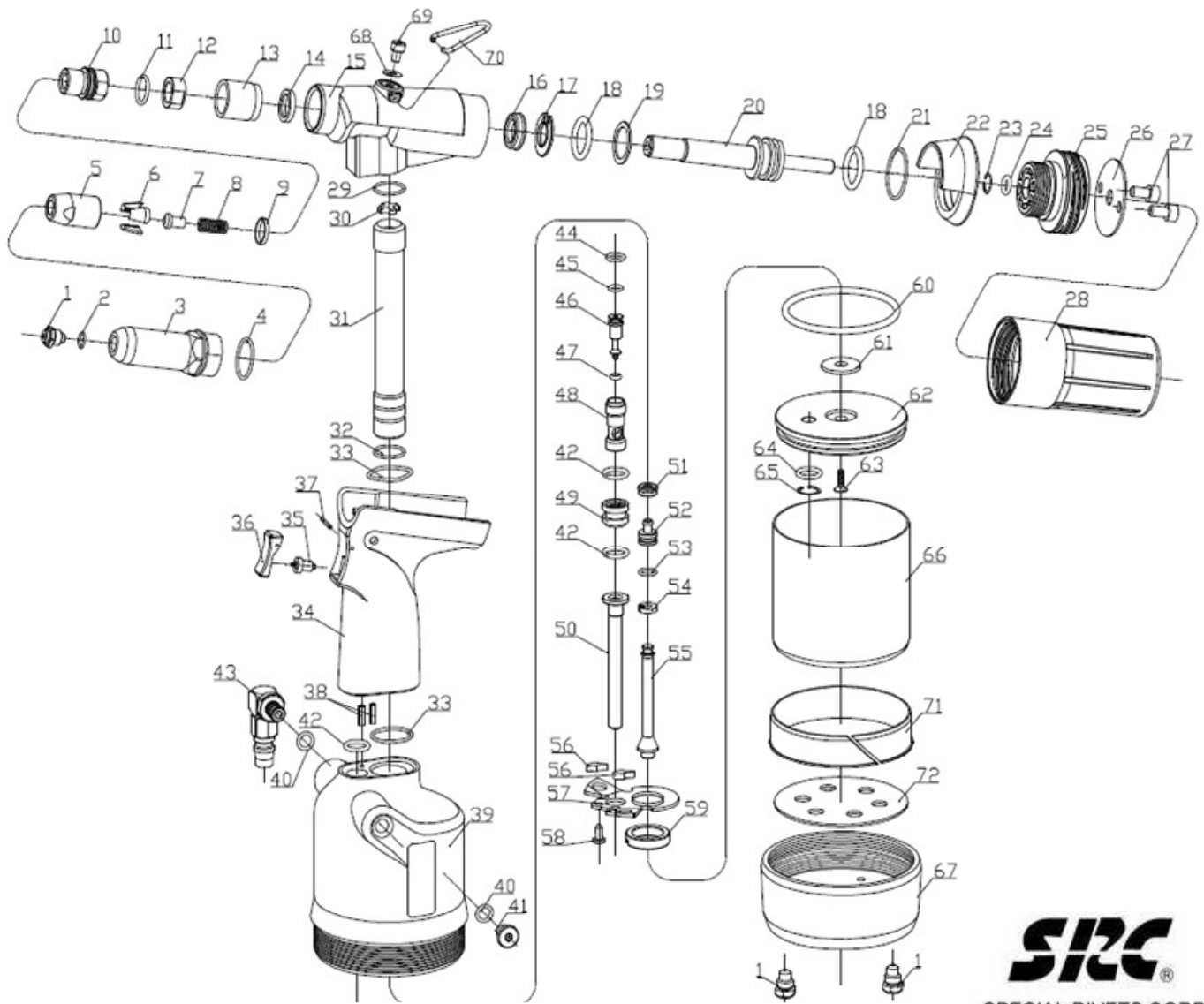
SPECIAL RIVETS CORP.

恒昭企業股份有限公司

No. 699 Fuke Road, Situn District, Taichung City 40764, Taiwan
TEL: 886-4-24623555 FAX: 886-4-24621777
E-mail: srcrivet@ms12.hinet.net http://www.src.com.tw

SRC-56P Air Riveter Part List

Exploded Drawing



SRC
SPECIAL RIVETS CORP.