

Model

8AM-ARV-70 (4 Vanes, Reversible)

Net wt. 28 lbs (12,6 kg)

FEATURES

- IEC #72 mounting frame size D90
- Any plane operation
- Metal muffler AC990 adds 2" height when installed

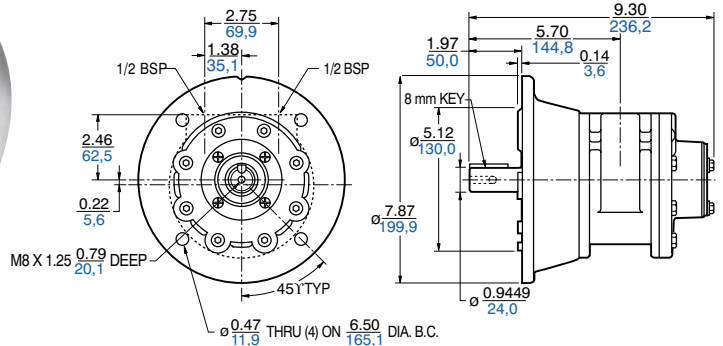
-  II 2 GD c T4

RECOMMENDED

- Repair kit K282A



Product Dimensions (inches, mm)



8AM-ARV-71 (8 Vanes, Reversible)

Net wt. 28 lbs (12,6 kg)

FEATURES

- IEC #72 mounting frame size D90
- Any plane operation
- Metal muffler AC990 adds 2" height when installed

-  II 2 GD c T4

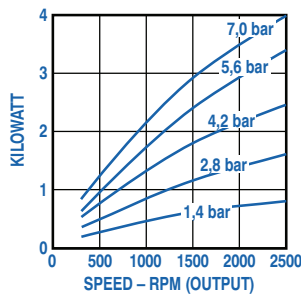
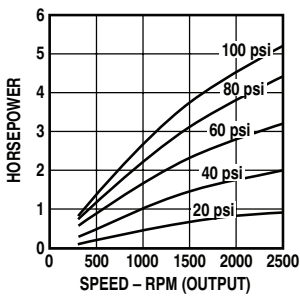
RECOMMENDED

- Repair kit K282B

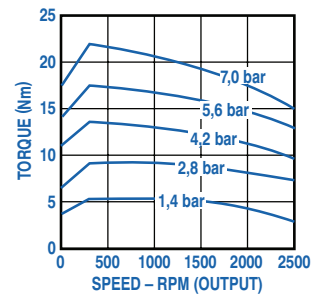
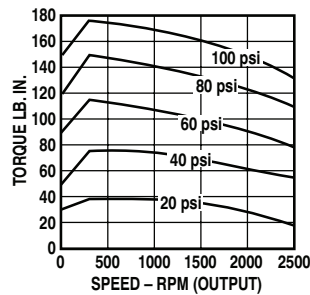
Delivers up to 3,7 kW (5 HP). Speeds may be varied from 300 to 2,500 rpm. Max. recommended operating pressure 7 bar (100 psi).

Note: Performance data represents a 4-vane model with no exhaust restriction.

Output Power vs. Speed



Torque vs. Speed



Air Consumption vs. Speed

