

HJBM PLUS 25 T2 0,37kW (268253106)

GENERAL DATA



SQUARE WALL PLATE FAN, VARIABLE PITCH BLADES AND HIGH EFFICIENCY MOTOR

MANUFACTURING FEATURES

- Square plate made of galvanized steel sheet with epoxy painting.
- Variable pitch angle polyamide impeller reinforced with fibreglass.
- Supplied with motor support and protection guard according to the UNE-EN 20-359-74 norm and the ROHS 2002/95/EC Directive (Restriction of the Use of Certain Hazardous Substances in Electrical and Electronic Equipments).
- High efficiency standard asynchronous squirrel-cage motor with IP-55 protection (wiring box IP-65) and Class F insulation. Manufactured with standard voltages: 230V 50Hz for the single phase motors and 230/400V 50Hz for the three phase motors.

APPLICATIONS

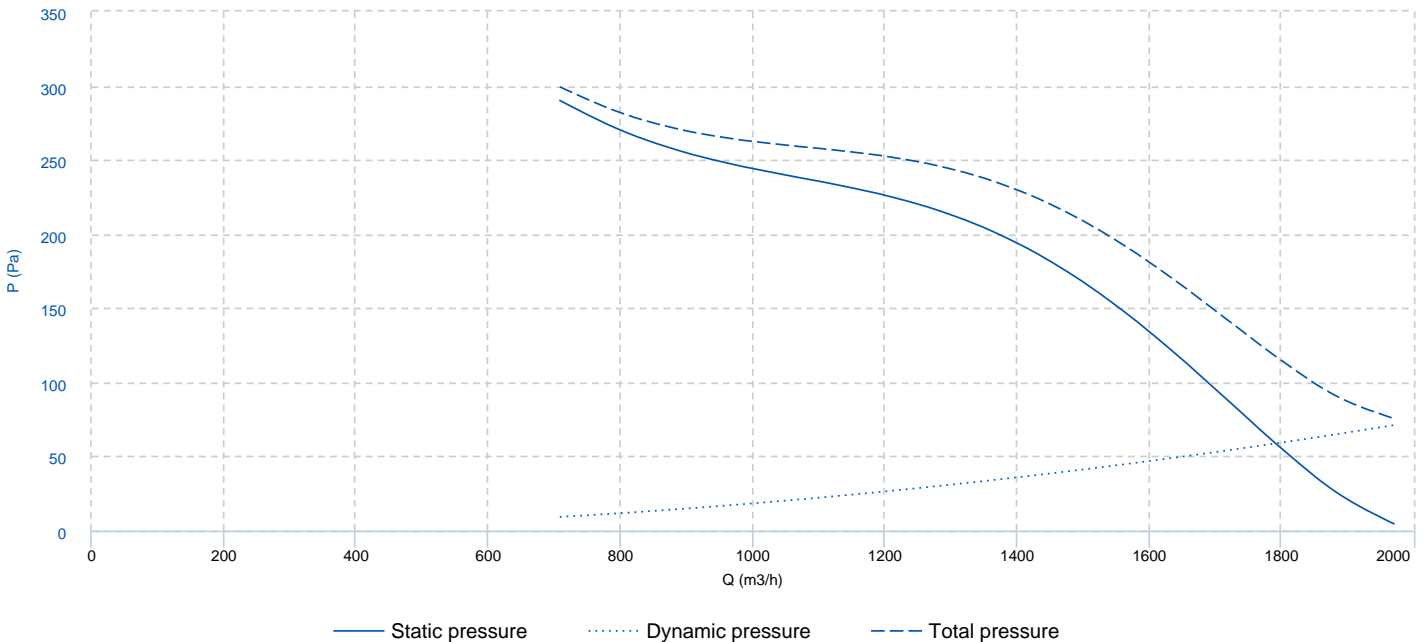
Designed for wall assembly, they are suitable for:

- Air renewal in buildings and industries.
- Maximum working temperature: single phase 50°C, three phase 60°C.

UNDER REQUEST

- Aluminium impeller.
- 60Hz fans.

PERFORMANCE CURVE



TECHNICAL DATA

Fan

RPM 2800

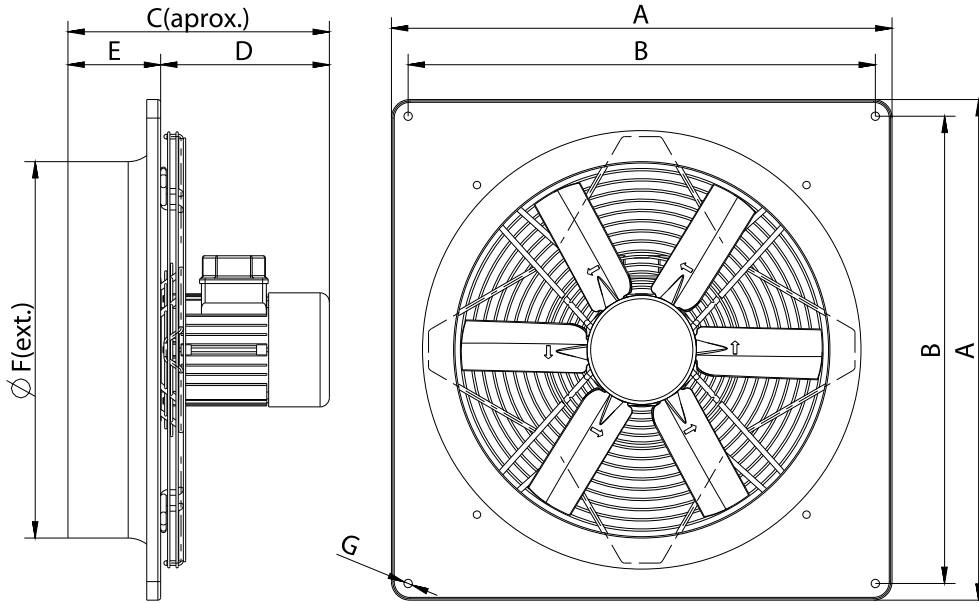
Approx. weight 4.5 kg

Max. Flow 1970 m³/h

Motor

Power	0,37 kW	reports.motor_rpm	2800	I max. (230V)	1,58 A
I max. (400V)	0,91 A	Size	71	Approx. weight	5.7 kg

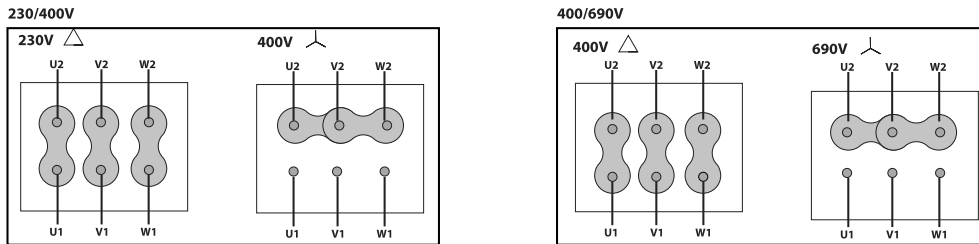
DIMENSIONS



Dimensions (mm)

A	370	B	320	E	78	ØF	253	ØG	7
C	298,5	D	220,5						

WIRING DIAGRAM



ACCESSORIES



SAFETY SWITCH
INT 6,5 1V
REF: FX452508



OUTLET PROTECTION GUARD
RP0 25
REF: 980000025



PLASTIC GRAVITY SHUTTER
PCP 25
REF: 963200105



FREQUENCY SPEED CONTROLLER
SFC M 0,37kW
REF: 960002520



FREQUENCY SPEED CONTROLLER
SFC T 0,55kW
REF: 960002526



EMC FILTER
Filtro EMC - SFC T 0,55 a 2,2kW
REF: 960002527